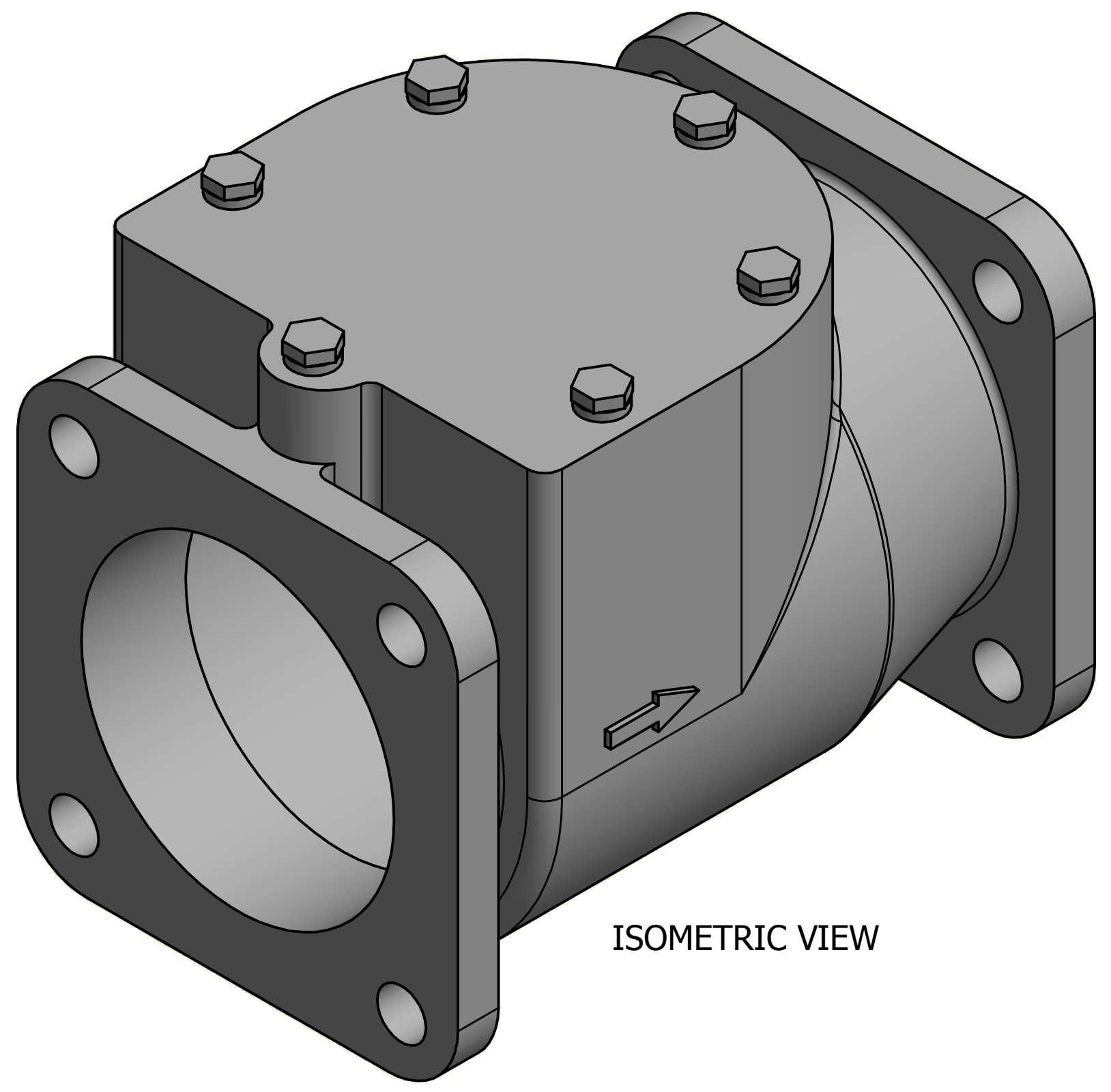


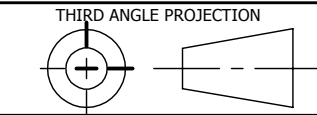
SALES DRAWING

SALES DRAWING



ISOMETRIC VIEW

UNLESS OTHERWISE SPECIFIED
 DIMENSIONAL TOLERANCES
 FRACTIONAL: $\pm 1/16$
 X.XX: $\pm .03$
 X.XXX: $\pm .015$
 ANGLE: $\pm 1^\circ$
 DEBURR ALL SHARP EDGES.
 ALL MACHINED SURFACES TO
 HAVE A 125 RMS FINISH UNLESS
 NOTED OTHERWISE.



DRAWN BY:	RJP
CHECKED BY:	CHL
PROTOTYPE BY:	RJP
PROTOTYPE DATE:	10/16/2015
APPROVED FOR PRODUCTION BY:	CHL
PRODUCTION DATE:	10/16/2015

A	RJP	10-16-15	RELEASED FOR PRODUCTION
REV	BY	DATE	DESCRIPTION
SALCO PRODUCTS, INC.			
PART NAME: CHECK VALVE 3"			
MATERIAL: ALUMINUM			
PROJECT #:		SHEET #: 1 OF 1	SCALE: 1:1
DRAWING #:		PART #:	
C42537		DV3030SQ-IMP	

THIS PRINT, PROPERTY OF SALCO PRODUCTS INC., CONTAINS PROPRIETARY INFORMATION AND MUST NOT BE COPIED, REPRODUCED, OR USED DETRIMENTALLY TO OUR INTEREST.